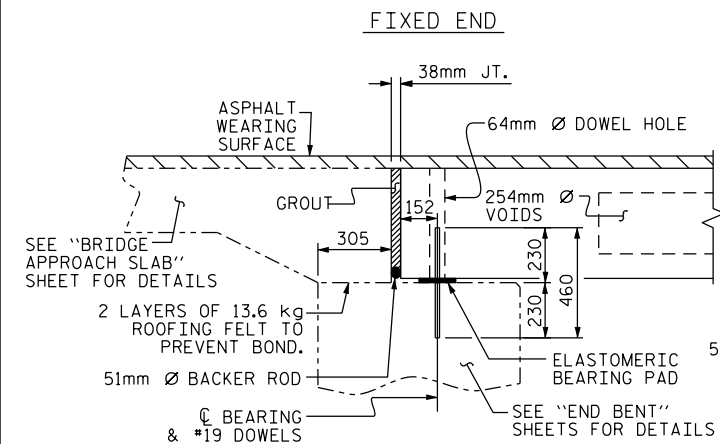


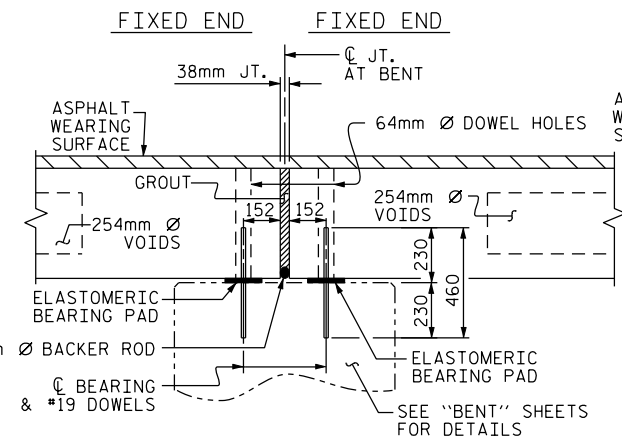
PART PLAN-EXTERIOR SECTION

NOTE: EXTERIOR SECTION SHOWN-INTERIOR SECTION SIMILAR EXCEPT OMIT S3 BARS.

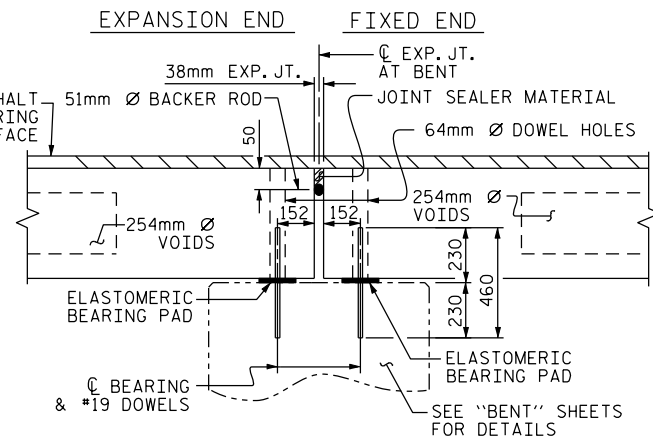
TYPICAL SECTION



SECTION AT END BENT

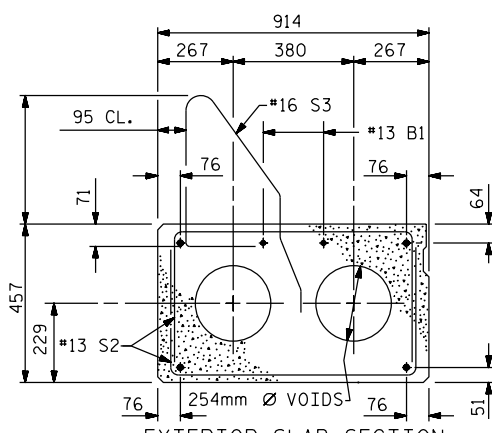


SECTION AT BENT

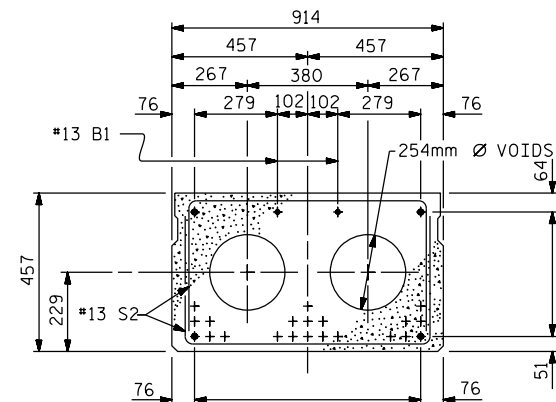


SECTION AT BENT

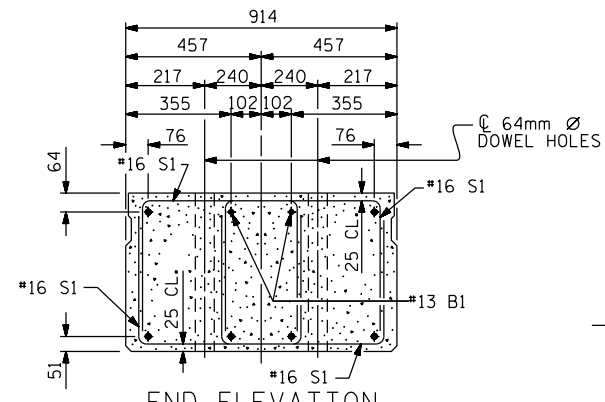
GROUTED RECESS AT END OF POST-TENSIONED STRAND-CORED SLABS



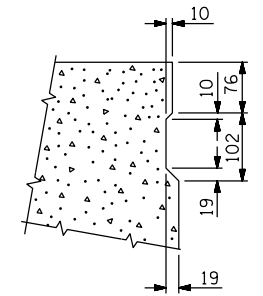
EXTERIOR SLAB SECTION  
(FOR PRESTRESSED STRAND LAYOUT, SEE INTERIOR SLAB SECTION)



INTERIOR SLAB SECTION  
15.24mm Ø LOW RELAXATION STRAND LAYOUT



END ELEVATION  
SHOWING PLACEMENT OF DOUBLE STIRRUPS AND LOCATION OF DOWEL HOLES (STRAND LAYOUT NOT SHOWN)  
INTERIOR SLAB SECTION SHOWN-EXTERIOR SLAB SECTION SIMILAR EXCEPT SHEAR KEY LOCATION.



SHEAR KEY DETAIL  
NOTE: OMIT SHEAR KEY ON OUTSIDE FACE OF EXTERIOR CORED SLABS.

PROJECT NO. \_\_\_\_\_

\_\_\_\_\_ COUNTY

STATION: \_\_\_\_\_

SHEET 1 OF 2

STATE OF NORTH CAROLINA  
DEPARTMENT OF TRANSPORTATION  
RALEIGH

STANDARD  
914mm X 457 mm  
PRESTRESSED CONCRETE  
CORED SLAB UNIT

ASSEMBLED BY :	DATE :
CHECKED BY :	DATE :
DRAWN BY : WJH 4/89	REV. 10/17/00 RWN/LES
CHECKED BY : FCJ 5/89	REV. 7/10/01R RWN/LES
	REV. 5/1/06R TLA/GM

REVISIONS						SHEET NO.
NO.	BY:	DATE:	NO.	BY:	DATE:	TOTAL SHEETS
1			3			
2			4			